

带任意限幅的10.9W×2高保真音频功放

■ 特点

- 可任意配置的限幅功能
自由选择音频限制幅度，使输出音频信号限制在固定失真水平内
- 内置自动限温控制功能
- 支持并联单声道 (PBTL)
- 支持AB类与D类切换
- THD+N: 0.02% ($V_{DD} = 8.4V$, $R_L = 4\Omega$, $f_{IN} = 1kHz$, $P_o = 2 \times 1.0W$, BTL)
- 输出功率($f_{IN} = 1kHz$, THD+N = 10%)
2×10.9W ($V_{DD}=9.0V$, $R_L=4\Omega$, BTL)
18W ($V_{DD}=8.4V$, $R_L=2\Omega$, PBTL)
- VDD供电范围: 2.5V至9.8V
- 多种增益选择: 21dB, 25.5dB, 30dB
- 免滤波器数字调制, 直接驱动扬声器
- 保护功能: 过流/过热/欠压异常保护功能
- 无铅无卤封装, TSSOP20L-PP

■ 应用

- 蓝牙音箱/智能音响
- 便携式音箱
- 2.1声道小音箱
- 扩音器
- iphone/ipod/ipod docking
- 拉杆音箱
- 平板电脑, 笔记本电脑
- 便携式游戏机
- 小尺寸LCD电视/监视器
- MP4, 导航仪

■ 订购信息

Part Number	Output Stage	Package Type	Marking	Operating Temperature Range	MOQ/Shipping Package
HT876BMTET	BTL	TSSOP20L-PP	HT876MTE	-40°C ~ 85°C	Tube / 46PCS
HT876PMTET	PBTL	TSSOP20L-PP	HT876MTE	-40°C ~ 85°C	Tube / 46PCS

■ 概述

HT876是一款立体声D类和AB类音频功率放大器。在D类模式, $V_{DD} = 9.0V$ 、THD+N=10%、4 Ω 负载、1kHz信号条件下, 能连续输出2×10.9W功率。

HT876具有可任意配置的限幅(Limiter)功能。限幅功能开启后, 即使输入信号很大, 音乐输出也能被限制在指定的功率和THD+N之内, 满足不同音质体验和喇叭的需求。

HT876还具有自动限温控制(TFB)功能, 在高功率输出、高环境温度、AB类模式低效率等情况下导致芯片片内温度较高时, 芯片能自动降低系统增益, 避免芯片进入过温关断保护模式, 在保证音乐品质的前提下显著提升音乐峰值功率。

此外, HT876内部集成免滤波器调制技术, 能够直接驱动扬声器, 内置的关断功能使待机电流最小化, 还集成了输出端过流保护、片内过温保护和电源欠压异常保护等功能。

2×10.9W Class D Audio Amplifier with Flexible Limiter

■ FEATURES

- Flexible Limiter Function adjusted by outside resistor so that the output music is limited under a preset THD+N and power
- Integrated Thermal Foldback (TFB) Function Significantly increase the peak audio power
- Paralleled Bridge Tied Load (PBTL)
- Both Class D and Class AB is available
- THD+N: 0.02% ($V_{DD} = 8.4V$, $R_L = 4\Omega$, $f_{IN} = 1kHz$, $P_o = 2 \times 1.0W$, BTL)
- Output Power ($f_{IN} = 1kHz$, THD+N = 10%)
 $2 \times 10.9W$ ($V_{DD} = 9.0V$, $R_L = 4\Omega$, BTL)
 $18W$ ($V_{DD} = 8.4V$, $R_L = 2\Omega$, PBTL)
- Power Supply V_{DD} : 2.5V~9.8V
- Multiple Gain Available: 21dB, 25.5dB, 30dB
- Filter-less Modulation
- Thermal/Low voltage malfunction prevention function with auto recovery
- Pb-free Packages, TSSOP20L-PP

■ APPLICATIONS

- Bluetooth/Smart Speakers
- 2.1Channel Speakers
- Portable Gamers
- LCD TV/Monitor
- Portable Speakers
- Megaphone
- MP4, GPS
- Tablet PC/Note Book

■ ORDERING INFORMATION

Part Number	Output Stage	Package Type	Marking	Operating Temperature Range	MOQ/Shipping Package
HT876BMTET	BTL	TSSOP20L-PP	HT876MTE	-40°C~85°C	Tube / 46PCS
HT876PMTET	PBTL	TSSOP20L-PP	HT876MTE	-40°C~85°C	Tube / 46PCS

■ DESCRIPTION

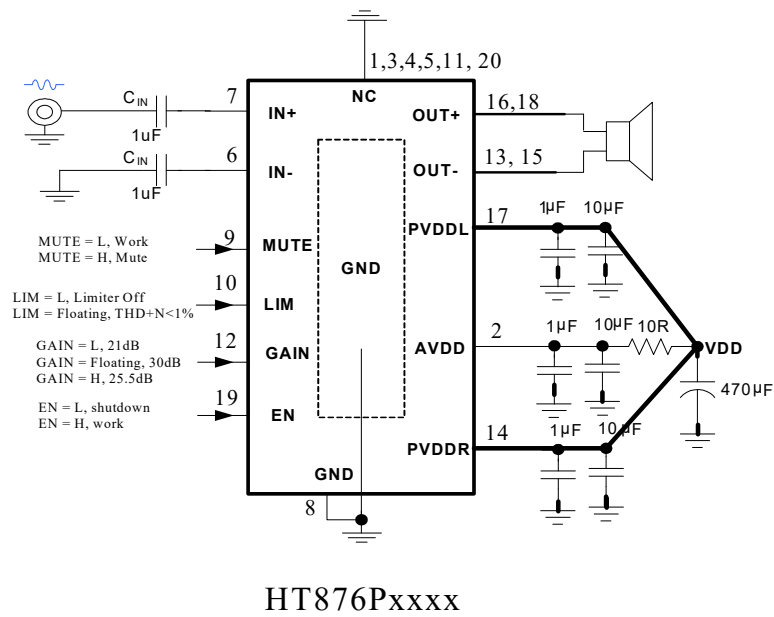
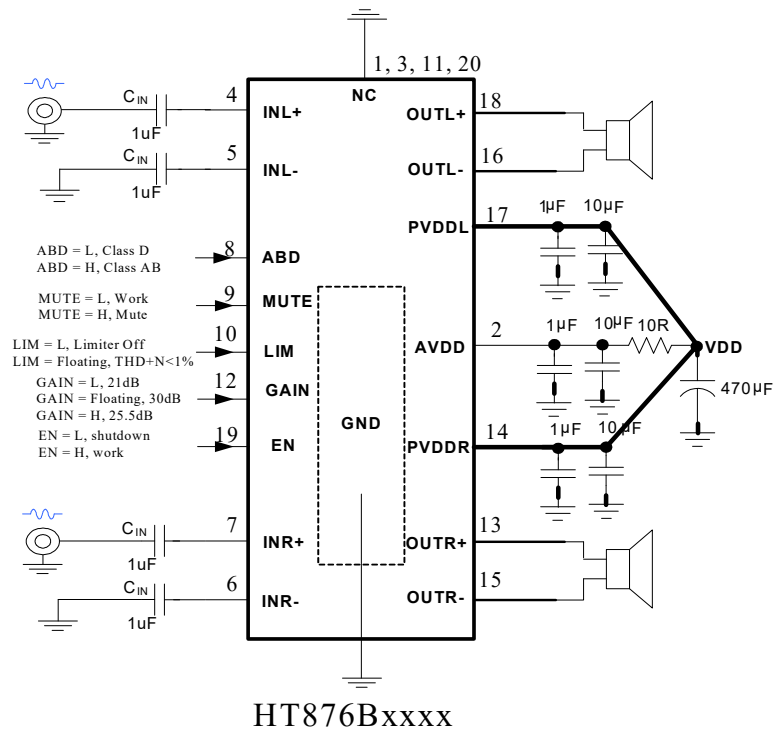
HT876 is a stereo Class D and Class AB audio amplifier, which can deliver 2×10.9W (4Ω Load, BTL mode) power at the condition of $V_{DD} = 9.0V$, THD+N = 10%, 1kHz sine wave in Class D mode.

HT876 integrates adjustable Limiter Function, which can be set by a resistor at the LIM pin to ground or AVDD, so that the output music can be limited below the preset power and THD+N.

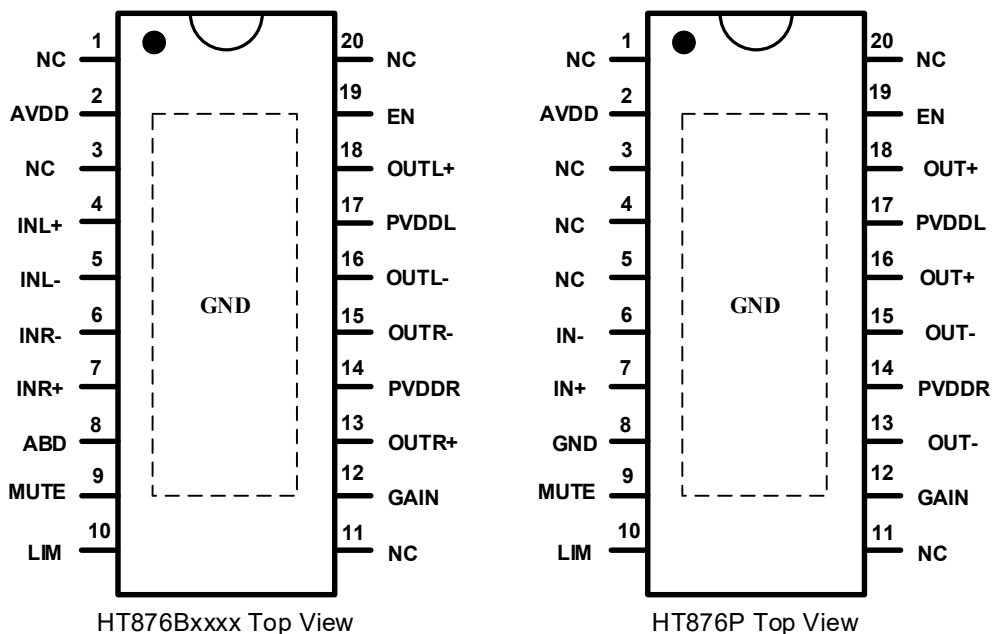
The HT876 Thermal Foldback (TFB) is designed to protect the HT876 from excessive die temperature in case of the device being operated beyond the recommended temperature or power limit (more easily happened in Class AB mode), or with a weaker thermal system than recommended. The TFB works by reducing the on-die power dissipation by reducing Gain if the temperature trig point is exceeded, so that the peak audio power is significantly increased.

HT876 has a filter-less modulation circuit which can directly drive speakers. HT876 can be shut down so that the power consumption can be minimized. As for protection function, over temperature protection function and low supply voltage malfunction preventing function are also prepared.

TYPICAL APPLICATION



■ TERMINAL CONFIGURATION



■ TERMINAL FUNCTION¹

HT876B Terminal No.	PIN NAME	I/O	Description
1, 3, 11, 20	NC	/	No connection inside the device, connect to GND for better thermal performance
2	AVDD	P	Analog power supply terminal
4	INL+	I	Positive input terminal (differential+) for left channel
5	INL-	I	Negative input terminal (differential-) for left channel
6	INR-	I	Negative input terminal (differential-) for right channel
7	INR+	I	Positive input terminal (differential+) for right channel
8	ABD	I	Class AB and Class D switch terminal; configure the device to operate in Class AB mode when it is pulled high, and Class D mode when it is pulled low
9	MUTE	I	Mute control terminal; configure the device to operate in mute mode when it is pulled high
10	LIM	I	Limiter function terminal; disable the function when it is pulled low
12	GAIN	O	Gain selection terminal
13	OUTR+	O	Positive output terminal (BTL+) for right channel
14	PVDDR	O	Power supply terminal for right channel
15	OUTR-	O	Negative output terminal (BTL-) for right channel
16	OUTL-	O	Negative output terminal (BTL-) for left channel
17	PVDDL	P	Power supply terminal for left channel
18	OUTL+	O	Positive output terminal (BTL+) for left channel
19	EN	I	Enable terminal; the device goes into shutdown mode when it is pulled low
PAD	GND	G	Power ground

¹ I: input, O: output, P: power, G: ground

IMPORTANT NOTICE

注意

Jiaxing Heroic Electronic Technology Co., Ltd (HT) reserves the right to make corrections, modifications, enhancements, improvements, and other changes to its products and services at any time and to discontinue any products or services without notice. Customers should obtain the latest relevant information before placing orders and should verify that such information is current and complete.

嘉兴禾润电子科技有限公司（以下简称HT）保留对产品、服务、文档的任何修改、更正、提高、改善和其他改变，或停止提供任何产品和服务的权利。客户在下单和生产前应确保所得到的信息是最新、最完整的。

HT assumes no liability for applications assistance or customer product design. Customers are responsible for their products and applications using HT components.

HT对相关应用的说明和协助以及客户产品的板级设计不承担任何责任。

HT products are not authorized for use in safety-critical applications (such as life support devices or systems) where a failure of the HT product would reasonably be expected to affect the safety or effectiveness of that devices or systems.

HT的产品并未授权用于诸如生命维持设备等安全性极高的应用中。

The information included herein is believed to be accurate and reliable. However, HT assumes no responsibility for its use; nor for any infringement of patents or other rights of third parties which may result from its use.

本文中的相关信息是精确和可靠的，但HT并不对其负责，也不对任何可能的专利和第三方权利的侵害负责。

Following are URLs and contacts where you can obtain information or supports on any HT products and application solutions:

下面是可以联系到我公司的相关链接和联系方式：

嘉兴禾润电子科技有限公司

Jiaxing Heroic Electronic Technology Co., Ltd.

地址：浙江省嘉兴市凌公塘路3339号JRC大厦A座三层

Add: A 3rd floor, JRC Building, No. 3339, LingGongTang Road, Jiaxing, Zhejiang Province

Sales: 0573-82585539, sales@heroic.com.cn

Support: 0573-82586151, support@heroic.com.cn

Fax: 0573-82585078

Website: www.heroic.com.cn; wap.heroic.com.cn

Wechat MP: HEROIC_JX

请及时关注禾润官方微信公众号，随时获取最新产品信息和技术资料！

